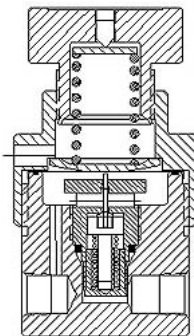


SERIES 2500 PRESSURE REDUCING REGULATOR

- SINGLE STAGE, DIAPHRAGM TYPE



Typical Applications:

- Gas and liquid Chromatography
- High purity carrier gases
- Zero, span and calibration gases
- Lecture bottle applications
- Research and development labs
- Low flow purge systems
- Industrial controls
- Oxy/Acetylene & Air/Fuel Gas Torches



The **Model 2500** shown is all brass with inlet / outlet gauges, CGA 540 inlet port and 9/16-18 male outlet.

Premier Model 2500 Pressure Reducing Regulators offer:

Features:

- Very competitive pricing
- Compact size (1.6" diameter x 3" high)
- Machined bar stock body eliminates porosity found in castings
- Reduced particle contamination with 40 micron stainless steel valve cartridge filter
- Stainless steel diaphragm option minimizes inboard diffusion of air into regulator
- Numerous optional features are available

SPECIFICATIONS:

- ◆ **Maximum control pressure:**
 - 1-25 PSIG
 - 1-50 PSIG
 - 5-100 PSIG
- ◆ **Maximum inlet pressure:** 4000 PSIG
- ◆ **Flow Capacity:** Cv 0.08
- ◆ **Inlet Porting:**
 - 1/8" FNPT
 - 1/4" FNPT
 - C-10 (5/8-18 UNF)
 - CGA 350
 - CGA 510
 - CGA 540
- ◆ **Outlet Porting:**
 - 1/8" FNPT
 - 1/4" FNPT
 - 9/16-18 Male "B" Thread Hose Connection

MATERIALS OF CONSTRUCTION:

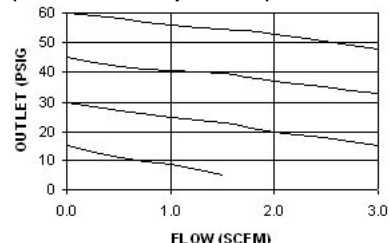
- ◆ **Body:**
 - SAE 360 Brass
 - Brass, Electroless Nickel Plated
 - 316L Stainless Steel
 - 6061-T6 Aluminum, Clear Anodized
 - Monel®
- ◆ **Bonnet:**
 - SAE 360 Brass
 - Brass, Electroless Nickel Plated
 - 316L Stainless Steel
 - 6061-T6 Aluminum, Clear Anodized
 - Monel®
- ◆ **Diaphragm:**
 - Neoprene
 - 316 Stainless Steel
- ◆ **Stainless Diaphragm Seal:** Teflon®
- ◆ **Main Valve Seal:** Teflon®
- ◆ **Valve Seat:** Teflon®

OPTIONS:

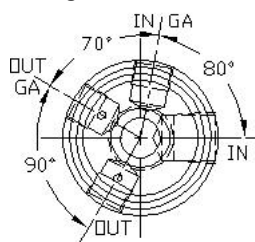
- Inlet Gauge
- Outlet Gauge
- Outlet Shut-off Valve

Flow Chart

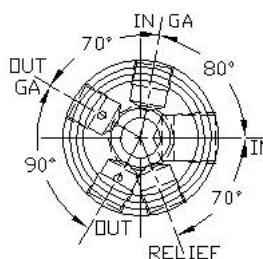
Regulator Discharge Characteristic Curves (1500 PSIG inlet pressure)



Four Port Configuration

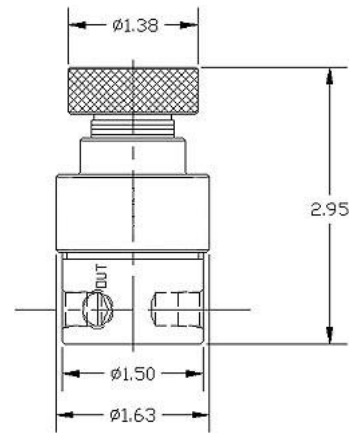


Five Port Configuration



Installation Dimensions
(Dimensions are in inches)

- Pressure Relief Valve
- Panel Mount Bonnet & Nut
- Low Torque Hand Knob
- Captured Bonnet Vent
- Anodized Colors for Aluminum Bodies & Bonnets
- Private Label



Monel® is a registered trademark of the Special Metals Corporation
Teflon® is a registered trademark of E.I. duPont de Nemours and Company

The **Model 2500 Pressure Reducing Regulator's** design is remarkably flexible. Contact **Premier Industries** for a custom **Model 2500 Regulator** to meet your exact needs.